

PM3046G
 PM3546G
 PM4046G
 PM5036G

Hawk pumps
PM series

PM 2006 Series

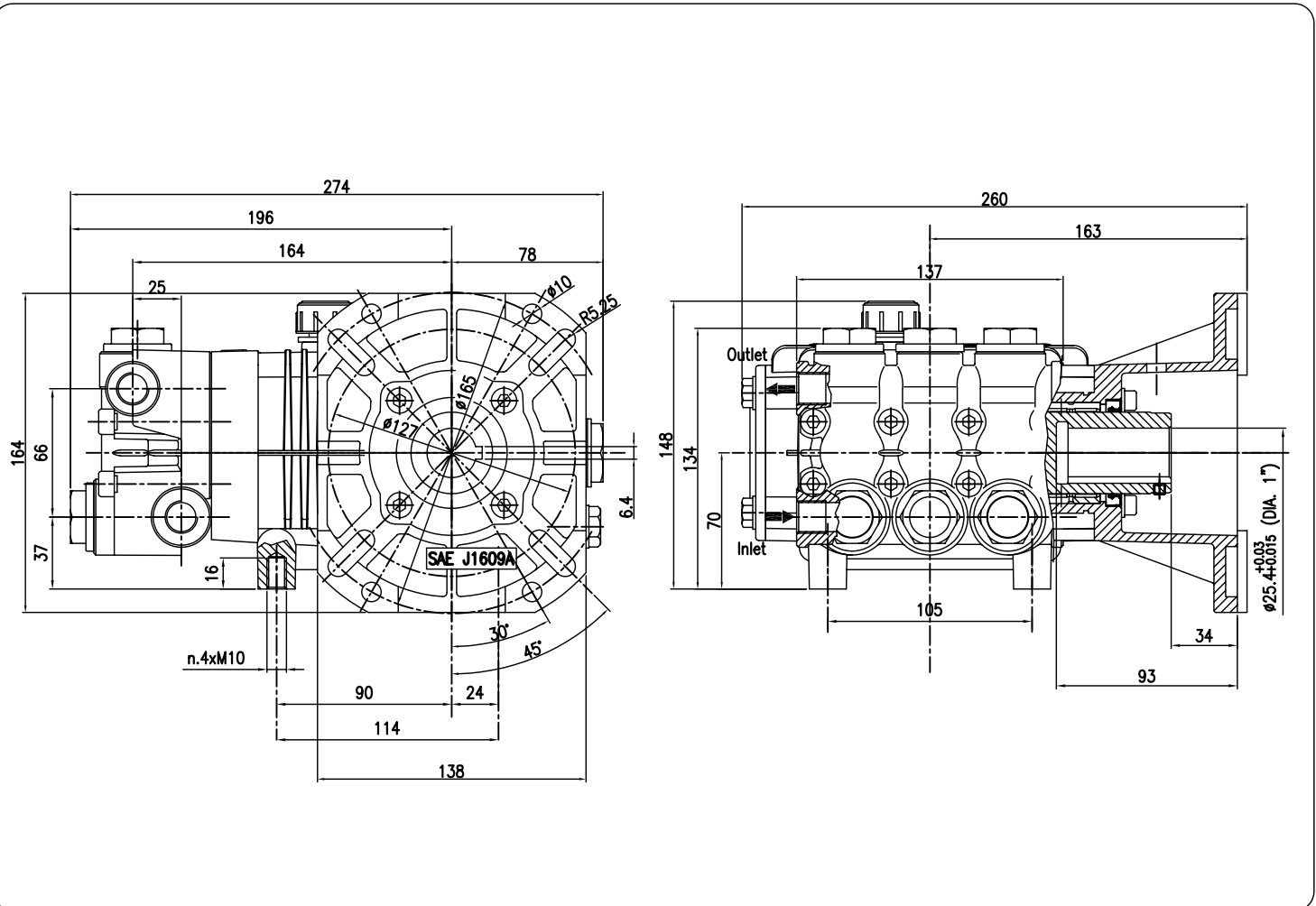
Caratteristiche Tecniche

Technical Characteristics

Pump Pompe Pumpen Pompa	Pressure Pression Druck Pressione		Volume Débit Leistung Portata		RPM tours/min u.p.m. giri/min	Required HP Puissance HP Leistung HP Potenza HP	Inlet port Entrée Eingang Aspirazione	Outlet Sortie Ausgang Mandata	Weight Kg Poids Kg Gewicht Kg Peso Kg
	bar	PSI	l/min	GPM					
PM3046GR	275	4000	11.5	3.0	3400	8.1	G 1/2	G 3/8	10
PM3546GR	275	4000	13.5	3.5	3400	9.5	G 1/2	G 3/8	10
PM4046GR	275	4000	15.3	4.0	3400	10.9	G 1/2	G 3/8	10
PM5036GR	275	4000	19.0	5.0	3400	13.4	G 1/2	G 3/8	10

Dimensioni d'ingombro

Overall dimensions



Lubrificazione: Olio SAE 20/40W
Capacità 0.7 Litri

Lubrication: SAE 20/40W Oil
Capacity 0.7 Litri

SPARE PARTS LIST

LISTA RICAMBI

Pos. Item	Codice Part Number	Description	Descrizione	Q.tà/Pompa Q.ty/Pump	PM3046G	PM3546G	PM4046G	PM5036G
1	0202.32	Crankcase	Carter	1				
2	0602.01	Plunger guide	Guida asta pistone	3				
*3	0001.03	Plunger oil seal	Anello radiale	3				
*4	0601.07	"O" Ring Ø1.78x31,47	"O" Ring Ø1.78x31,47	3				
*5	0002.20	"V" seal, dia.15mm	Anello tenuta "V" Ø15	6				
*6	1201.20	Pressure ring 15mm	Pressore Ø15	3				
*7	0300.27	Support ring 15mm	Diffusore Ø15	6				
*8	0300.20	Intermed. ring 15mm	Diffusore Intermed. Ø18	3				
9	1601.20	Brass plug G1/2	Tappo G1/2	1				
10	0603.07	Copper washer 1/2	Guarnizione rame G1/2	1				
11	1602.16	Manifold housing	Testata	1				
*12	0601.19	"O" Ring Ø2.62x17.13	"O" Ring Ø2.62x17.13	6				
*13	3604.70	Valve assembly	Valvola premontata	6				
*14	0601.65	"O" Ring Ø2.62x20.29	"O" Ring Ø2.62x20.29	6				
15	1601.30	Valve plug	Tappo valvola	6	◆	◆	◆	◆
16	1801.03	Manifold stud bolt	Vite M8x65	8				
17	1400.01	Washer	Rosetta Ø8.5	8				
18	0603.06	Copper washer 3/8	Guarnizione rame G3/8	1				
19	1601.17	Brass plug 3/8	Tappo G3/8	2				
20	1503.18	Valve seat	Sede valvola	6				
21	1202.00	Valve plate	Piattello valvola	6				
22	0900.30	Valve spring	Molla valvola	6				
23	0604.05	Valve cage	Gabbia valvola	6				
24	1801.12	Hexagonal screw	Vite M6x16	9				
25	1400.02	Washer	Rosetta Ø6,4	4				
26	0500.56	Closed bearing flange	Flangia chiusa	1				
27	0601.09	"O" Ring Ø2,62x61,6	"O" Ring Ø2,62x61,6	1				
28	1500.03	Snap ring	Anello Ø25	1				
29	0213.10	Double row ball bearing	Cuscinetto doppia corona	1				
30	0004.91	Crankshaft	Albero eccentrico	1	◆			
	0004.92	Crankshaft	Albero eccentrico	1		◆		
	0004.93	Crankshaft	Albero eccentrico	1			◆	
	0004.94	Crankshaft	Albero eccentrico	1				◆
31	1803.02	Set screw	Vite STEI M6x6	1				
32	1600.06	Oil dip stick	Tappo livello olio	1				
33	0601.83	"O" Ring Ø3,53x55,56	"O" Ring Ø3,53x55,56	1				
34	0200.10	Needle roller bearing	Cuscinetto a rullini	1				
35	0500.55	Engine flange	Flangia motore	1				
36	1403.04	Spring washer	Rosetta elastica Ø8,1	4				
37	1801.28	Flange scerw	Vite M8x30	4				
38	1802.20	Engine screw 5/16"	Vite 5/16"	4				
39	1400.51	Washer	Rosetta Ø8,4	4				
40	1401.03	Spring washer	Rosetta Schnorr 08	4	◆	◆	◆	◆
41	1802.21	Engine screw 3/8"	Vite 3/8"	4				
42	1400.52	Washer	Rosetta Ø10	4				
43	1400.53	Spring washer	Rosetta elastica Ø10	4				
44	0001.09	Crankshaft seal	Anello radiale	1				
*45	0302.11	Plunger nut	Dado pistone	3				
*46	1400.06	Copper spacer	Rosetta Ø 9,2/13,5x0,5	3				
*47	1200.25	Plunger 15mm	Pistone Ø15	3				
*48	1400.27	Copper spacer	Rosetta rame	3				
*49	0601.30	"O" Ring Ø1.78x5.28	"O" Ring Ø1.78x5.28	3				
*50	0009.13	Teflon ring	Anello antiestrusione	3				

SPARE PARTS LIST
LISTA RICAMBI

Pos. Item	Codice Part Number	Description	Descrizione	Q.tà/Pompa Q.ty/Pump	PM3046G	PM3546G	PM4046G	PM5036G
51	0003.02	Plunger rod	<i>Asta pistone</i>	3				
52	1500.01	Snap ring	<i>Anello Ø10</i>	6				
53	1502.01	Connecting rod pin	<i>Spinotto</i>	3				
54	0100.01	Connecting rod	<i>Biella completa</i>	3				
55	1401.02	Spring washer	<i>Rosetta elastica Ø6</i>	6				
56	1801.05	Connecting rod screw	<i>Vite M6x25</i>	6	◆	◆	◆	◆
57	0601.88	"O" Ring Ø2.62x126.67	<i>"O" Ring Ø2.62x126.67</i>	1				
58	0203.53	Crankcase cover	<i>Coperchio</i>	1				
59	0601.14	"O" Ring Ø1,78x14	<i>"O" Ring Ø1,78x14</i>	1				
60	0700.05	Sight glass, G3/4	<i>Spia livello olio G3/4</i>	1				
		Part available in kit only	Particolare disponibile solo in kit					
*		Part available in kit also	Particolare disponibile anche in kit					

SPARE PARTS KIT
KIT RICAMBI

Posizioni Item	Part Number & Description	Codice e Descrizione	Q.tà/Pompa Q.ty/Pump	PM3046G	PM3546G	PM4046G	PM5036G
4- 5- 7	2608.24 Plunger Seals 15 mm	2608.24 <i>Guarnizioni pistone Ø15</i>	1				
3- 4- 5- 6- 7- 8	2608.25 Complete seal Packing 15 mm	2608.25 <i>Pacco completo Guarnizioni pistone Ø15</i>	3				
45- 46- 47- 48 49- 50	2608.23 Plunger 15 mm	2608.23 <i>Pistone Ø15</i>	3	◆	◆	◆	◆
12- 13- 14	2600.08 Complete Valve	2600.08 <i>Valvola completa</i>	6				
3	2600.27 Plunger oil Seals	2600.27 <i>Anelli tenuta olio Asta</i>	1				